



Dell Networking W-7010-MNT-19 Mounting Kit Installation Guide

The W-7010-MNT-19 mounting kit includes hardware for mounting the W-7010 controller on a wall or in a two-post 19-inch Telco rack. This document provides the installation instructions for rack mounting and wall mounting a W-7010 controller using the W-7010-MNT-19 mounting kit.

Package Contents

- Two Mounting Brackets (used for rack or wall mounting)
- Eight M4 x 8 mm Phillips Flat Head Screws
- Four M6 x 15 mm Phillips Pan Head Screws
- Four M6 Cage Nut
- Four M6 Clip Nut
- Installation Guide (this document, printed)

Rack Mounting - Standard

This mounting option allows mounting the W-7010 controller in a two-post 19-inch Telco rack. s



CAUTION: Each W-7010 controller must have its own mounting equipment. Do not place other networking equipment directly on top of a mounted W-7010 controller. Failure to do so can damage the controller.

Required Tools and Equipment

The following tools and equipment are required for installing a W-7010 controller:

- Mounting Brackets (x2); Do not use for table or shelf installation
- Screws for the mounting brackets (x8): M4 x 8 mm Phillips Flat Head Screws
- Screws for system rack mount (x4): M6 x 15 mm Phillips Pan Head Screws
- M6 cage nut (x4): Optional
- M6 clip nut (x4): Optional
- Suitable Screwdrivers for all screw types (not included in the kit)



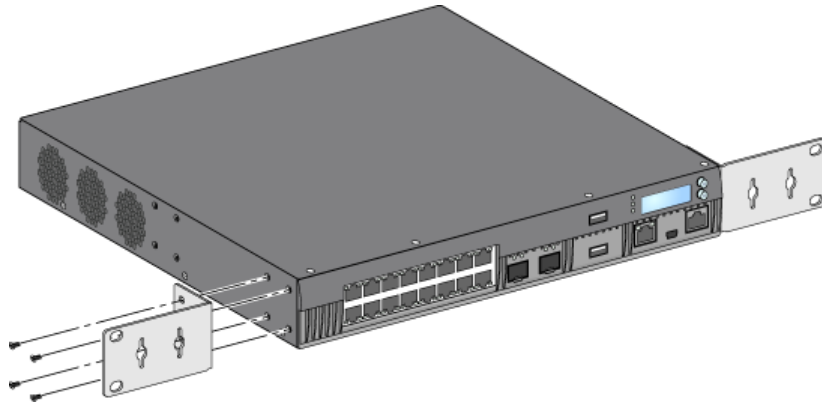
NOTE: Some racks require screws that differ from those included with the W-7010 controller. Ensure to have the correct screws before installing the W-7010 controller.

Installation Steps

To install a W-7010 controller in a two-post 19-inch Telco rack:

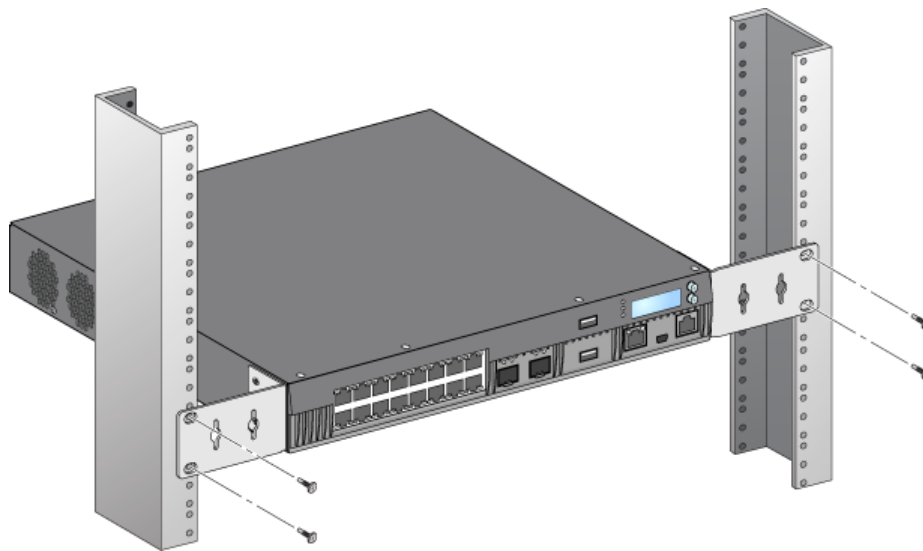
1. Place the mounting brackets over the mounting holes on the controller (see [Figure 1](#)).
2. Secure the brackets to the controller using the eight screws for the mounting brackets (four per bracket) and a suitable screwdriver.
3. In the desired rack system, if the rack requires cage nut or clip nut, insert it on the front rails (two per rail, aligned horizontally).

Figure 1 Attaching the Mounting Brackets for Rack Mounting



4. Mount the controller in the desired rack system using the four screws for system rack mount (two per bracket) and a suitable screwdriver (see [Figure 2](#)).

Figure 2 Rack Mounting



NOTE: Leave a minimum of 10 cm (4 inches) of space on the left and right side of the controller for proper air flow and ventilation. Leave additional space in the front and the back of the controller to access network cables, LED status indicators, and power cord.

Wall Mounting

The mounting brackets can also be used for wall mounting the W-7010 controller.

Required Tools and Equipment

The following tools and equipment are required for installing a W-7010 controller on a wall:

- Mounting Brackets (x2)
- Screws for the mounting brackets (x8): M4 x 8 mm Phillips Flat Head Screws
- Wall Anchors: Optional accessory (not included in the kit)
- Wall Mounting Screws: The type of screw depends on the installation surface (not included in the kit)
- Suitable Screwdrivers for all screw types (not included in the kit)

Installation Steps

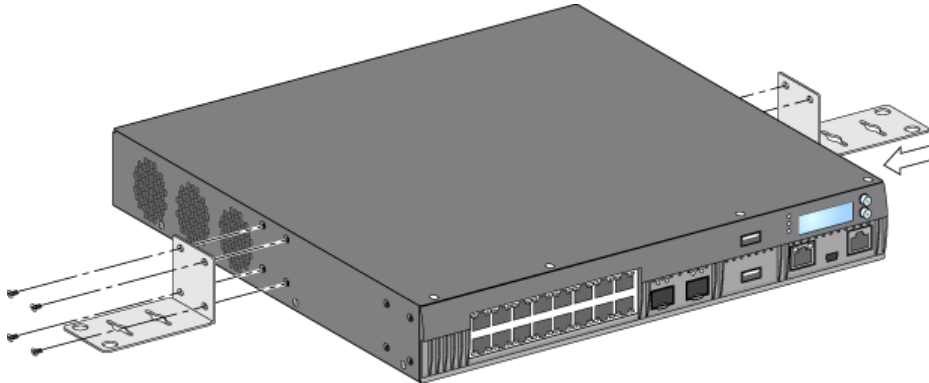
To install a W-7010 controller on a wall:



NOTE: Ensure that the Ethernet ports are facing down when installing the W-7010 controller on a wall.

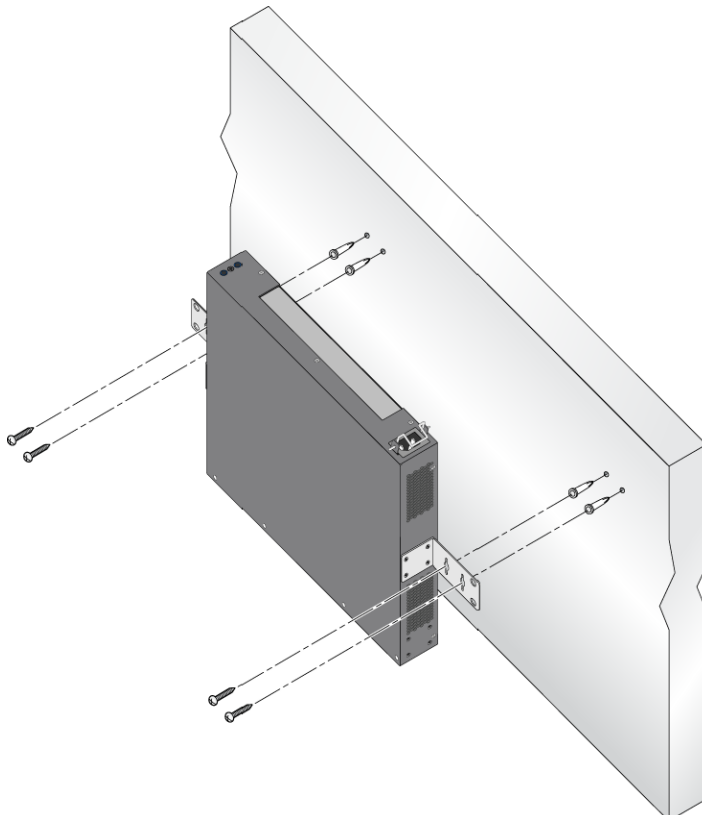
1. Fasten the mounting brackets over the mounting holes on the sides of the W-7010 controller using the eight screws for the mounting brackets (four per bracket) and a suitable screwdriver (see [Figure 3](#)).

Figure 3 Attaching the Mounting Brackets for Wall Mounting



2. After choosing a mounting location, mark the locations on the wall for the mounting holes.
3. Create the holes and insert wall anchors if the installation requires them.
4. Align the mounting bracket holes with the holes created in the wall (see [Figure 4](#)).
5. Use appropriate screws to secure the W-7010 controller.

Figure 4 Wall Mounting



Contacting Dell

Web Site Support	
Main Website	dell.com
Contact Information	dell.com/contactdell
Support Website	dell.com/support
Documentation Website	dell.com/support/manuals

Copyright

© 2015 Aruba Networks, Inc. Aruba Networks trademarks include  airwave, Aruba Networks®, Aruba Wireless Networks®, the registered Aruba the Mobile Edge Company logo, and Aruba Mobility Management System®. Dell™, the DELL™ logo, and PowerConnect™ are trademarks of Dell Inc.

All rights reserved. Specifications in this manual are subject to change without notice.

Originated in the USA. All other trademarks are the property of their respective owners.

Open Source Code

Certain Aruba products include Open Source software code developed by third parties, including software code subject to the GNU General Public License (GPL), GNU Lesser General Public License (LGPL), or other Open Source Licenses. Includes software from Litech Systems Design. The IF-MAP client library copyright 2011 Infoblox, Inc. All rights reserved. This product includes software developed by Lars Fenneberg, et al. The Open Source code used can be found at this site: http://www.arubanetworks.com/open_source

Legal Notice

The use of Aruba Networks, Inc. switching platforms and software, by all individuals or corporations, to terminate other vendors' VPN client devices constitutes complete acceptance of liability by that individual or corporation for this action and indemnifies, in full, Aruba Networks, Inc. from any and all legal actions that might be taken against it with respect to infringement of copyright on behalf of those vendors.

